
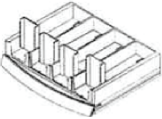
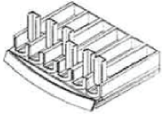
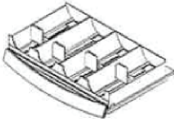
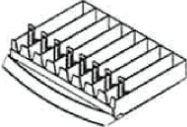
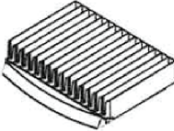
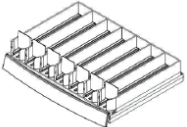

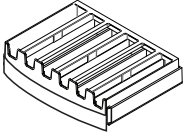
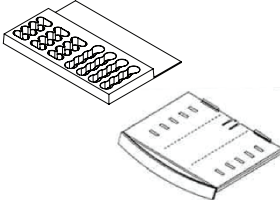
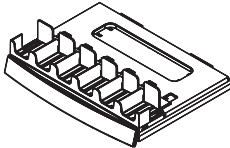
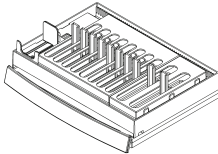
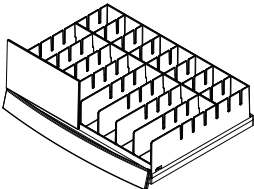
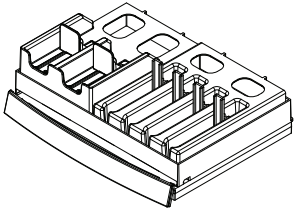
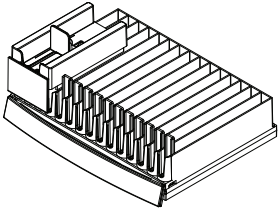
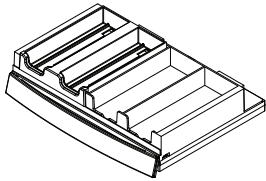
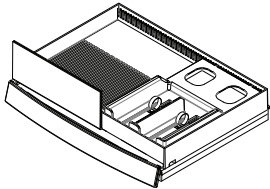



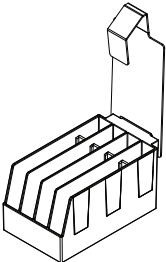


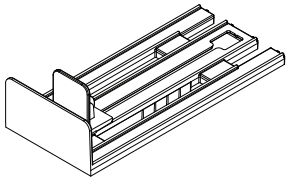


TRAYS

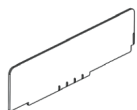
 <p>6 Across Healthy Skin Glow Sheers/HS Perfector 30628-00 40019880</p>	 <p>4 Across Tray 30633-00 40019910</p>	 <p>6 Across Tray w/ Tall Pusher 30636-00 40019913</p>	 <p>4 Across Tray with Round Lens 30649-00 40019999</p>	 <p>8 Across Tray 31281-00 30020590</p>	 <p>15 Across Tray 31320-00 30023090</p>
<p>Healthy Skin Glow Sheers Healthy Skin Anti Aging Perfector</p>	<p>3 in 1 Concealer for Eyes</p>	<p>Healthy Skin Enhancer</p>	<p>Mineral Sheers Compact Foundation Healthy Skin Pressed Powder SkinClearing Mineral Pressed Powder Mineral Sheers Loose Powder Foundation Healthy Skin Compact Foundation</p>	<p>Shine Control Liquid Makeup Nourishing Long Wear Liquid Makeup SkinClearing Liquid Makeup Hydroboost Hydrating Tint</p>	<p>Hydroboost Lip Shine MoistureSmooth Color Stick</p>
 <p>7 Across Tray 31571-00 30029515</p>	 <p>4 Across Blends Tray 33639-00 30031852</p>	 <p>SkinClearing Perfector Tray w/ Overlay 33765-00 30033812</p>	 <p>SkinClearing/HS Anti-Aging Perfector Tray w/VF Insert 33828-00 30033825</p>	 <p>6 Across LW Eyeshadow Tray w/out Graphic 34247-00 30036847</p>	 <p>HydroBoost Lip Combo/ Soother Tray 34249-00 30036897</p>
<p>Healthy Skin Liquid Makeup</p>	<p>Healthy Skin Blends</p>	<p>SkinClearing Complexion Perfector</p>	<p>SkinClearing Complexion Perfector Healthy Skin Anti-Aging Perfector</p>	<p>Nourishing Long Wear Eye Shadow</p>	<p>HydroBoost Lip Treatment HydroBoost Lip Shine MoistureShine Lip Soother</p>

TRAYS & ACCESSORIES

 <p>8 Across Eye Pencil Tray with SS 34365-00 30039861</p>	 <p>Lip Treatment/Lip Soother Combo Tray 34371-00 30039863</p>	 <p>1 Acr Lip Treatment/ 11 Acr HB Lip Shine Combo Tray 34372-00 30039869</p>	 <p>4 Across Blush/ Blends Combo Tray 34373-00 30039872</p>	 <p>Lip Treatment w/ 7" SS 34376-00 30039878</p>	 <p>Utility Tray 30630-00 40019907</p>
<p>Nourishing Brow Pencil</p>	<p>HydroBoost Lip Treatment HydroBoost Lip Shine</p>	<p>HydroBoost Lip Treatment HydroBoost Lip Shine</p>	<p>Healthy Skin Blush Healthy Skin Blends 3 in 1 Concealer</p>	<p>HydroBoost Lip Treatment</p>	<p><i>Makeup Removers</i></p>

 <p>Hook Bar 30753-00 40023074</p> <p>3 in 1 Concealer Healthy Lengths Mascara Healthy Skin Brightening Eye Perfector Healthy Skin Primer Healthy Volume Mascara HydroBoost Concealer HydroBoost Mascara Nourishing Eyeliner Revitalizing Lip Balm Shine Control Powder Shine Control Primer Skin Clearing Concealer</p>	 <p>EMUR Pads Hookbar Adaptor 33643-00 30031856</p>	 <p>Eye Pencil Hookbar Adapter 34366-00 30039862</p>	 <p>Hooks for Hook Bar (2/per carton) 30754-00 40023075</p>	 <p>Towelette Pusher Assembly 31223-00 30014707</p>	 <p>Medium Pusher Track 34374-00 30039874</p>
	<p><i>For use on Hook Bar - 30753-00</i></p> <p>Extra Gentle Makeup Remover Pads</p>	<p><i>For use on Hook Bar - 30753-00</i></p> <p>Nourishing Brow Pencil</p>	<p><i>For use on Hook Bar - 30753-00</i></p>	<p>To be installed and used with Utility Tray 30630-00</p> <p>Makeup Remover Cleansing Towelettes (horizontal orientation)</p>	<p>To be installed and used with Utility Tray 30630-00</p> <p>Makeup Remover Cleansing Towelettes (vertical orientation)</p>

ACCESSORIES



Tray Divider
3 pack - **33645-00** - **30031858**
4 pack - **33644-00** - **30031857**

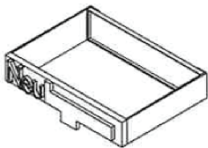
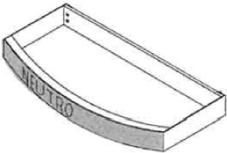

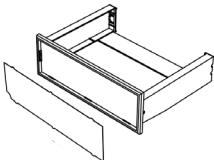
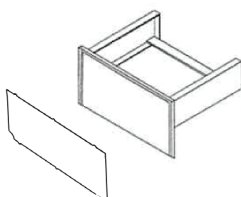
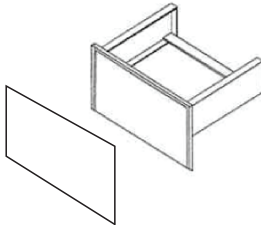
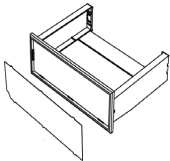
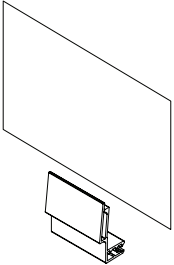
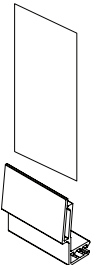
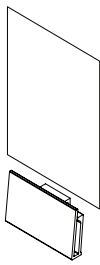
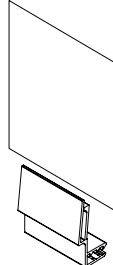
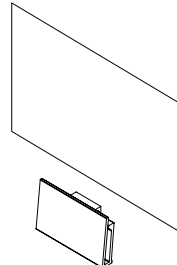
*For use on Utility Tray
30630-00*

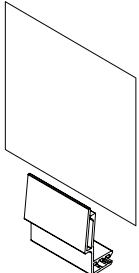
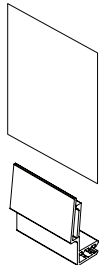
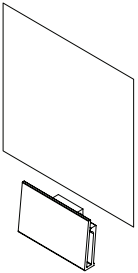
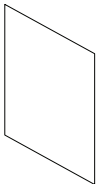



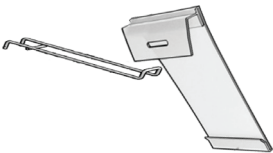
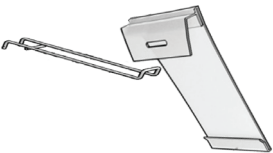
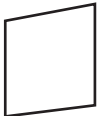
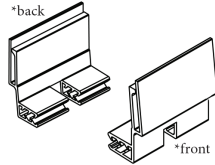
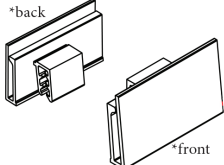
Universal Carrier Tray
30469-00
40015396

For use with clear tray tops only



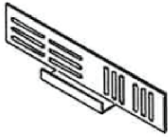
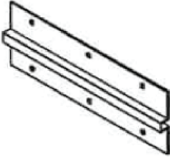
SIGNAGE

 <p>1 ft. Neutrogena Logo Plaque 30399-00 40013662</p>	 <p>2 ft. Black Header 31222-00 30014706</p>	 <p>12" Graphic Frame 30826-00 40025124</p>	 <p>4" Graphic Frame w/Cover 33623-00 30030612</p>	 <p>6" Graphic Frame w/Cover 33624-00 30030613</p>	 <p>8" Graphic Frame w/Cover 33625-00 30030615</p>
 <p>3" Graphic Frame w/Cover 33768-00 30033807</p>	 <p>6" Space Saver Frame w/Regular Tray Extrusion 33648-00 30031861</p>	 <p>1.75" Space Saver Frame w/Regular Tray Extrusion 33766-00 30033813</p>	 <p>2.5" Space Saver Frame w/8 Across Tray Extrusion 33767-00 30033811</p>	 <p>3" Space Saver Frame w/Regular Tray Extrusion 33813-00 30033808</p>	 <p>6" Space Saver Frame w/8 Across Tray Extrusion 33815-00 30033809</p>

 <p>4" Space Saver Frame w/Regular Tray Extrusion 33830-00 30033810</p>	 <p>2.5" x 3" Space Saver Frame w/Regular Tray Extrusion 34250-00 30036898</p>	 <p>4" Space Saver Frame w/8 Across Tray Extrusion 34258-00 30037157</p>	 <p>3.5" x 2" Space Saver 34375-00 30039877</p>	 <p>7" x 2.5" Space Saver 34377-00 30039879</p>	
	<p><i>For use w/ HS Blends</i></p>		<p><i>To be installed and used with Tray 34372-00</i></p> <p><i>For use w/ HB Lip Treatment</i></p>	<p><i>To be installed and used with Tray 34376-00</i></p> <p><i>For use w/ HB Lip Treatment</i></p>	

 <p>Hook Bar Space Saver 3.75" x 5.5" - 33631-00 30030637</p>	 <p>Hook Bar Space Saver 6" x 2" - 34264-00 30037245</p>		 <p>Tray Space Saver Frame 30029910 - 1.75" x 3.5" 30036898 - 2.5" x 3" 30029909 - 2.5" x 3.5" 30029908 - 3" x 3.5" 30029906 - 4" x 3.5" 30029905 - 5" x 3.5" 30029904 - 6" x 3.5"</p>	 <p>Tray Space Saver Frame Clip 30029911</p>	 <p>8 Across Tray Space Saver Clip 30029912</p>

BACK PANELS & BRACKETS

 <p>Back Panel Section 36" RSMF0432 24" RSMF0438 12" RSMF0431 8" RSMF0433 6" RSMF0439 2" Extender - RBRK0143</p>	 <p>Universal Bracket RBRK0105</p>	 <p>Universal Bottom Bracket RBRK0120</p>	 <p>Spanner Bracket RBRK0145</p>		

Back Wall Structure

MISC.

30040-00 Full set of Back Panels for 1ft. Section:
40000970

- 1-36" back panel w/ connector
- 1-24" back panel w/ connector
- 1-12" back panel
- 1-8" back panel
- 1-6" back panel
- 1-2" back panel
- 4 spanner brackets
- 3 universal brackets
- 1 bottom bracket
- 1 instruction sheet

30052-00 Tool Kit (for use in installing back panels)
40000986

31536-00 Full set of Back Panels for 1ft. Section for
30026083 54" High Units ONLY:

- 1-36" back panel w/ connector
- 1-12" back panel
- 1-6" back panel
- 2 spanner brackets
- 3 universal brackets
- 1 bottom bracket
- 1 instruction sheet